

## ***Micro Commercial Components Corp.***

### **Products End of Life Notification**

**Issue date: Oct-20<sup>th</sup>-2008**

**Last Buy Date : Dec-31<sup>th</sup>-2008**

**Description and Purpose:**

**MCC has undergone a review of its core business and products , and**

**determined to discontinue below products:**

<b>Discontinued Devices</b>	<b>Possible Replacements</b>
TSMBJ1024C	None
TSMBJ1022C	None
TSMBJ1018C	None
TSMBJ1016C	None
TSMBJ1012C	None
TSMBJ1010C	None
TSMBJ1009C-130	None
TSMBJ1007C	None
TSMBJ1006C	None
TSMBJ1005C-072	None
TSMBJ1005C-064	None
TSMBJ0524C	None
TSMBJ0522C	None
TSMBJ0518C	None
TSMBJ0516C	None
TSMBJ0512C	None
TSMBJ0510C	None
TSMBJ0509C-130	None



Micro Commercial Components™

<b>Discontinued Devices</b>	<b>Possible Replacements</b>
TSMBJ0507C	None
TSMBJ0506C	None
TSMBJ0505C-072	None
TSMBJ0505C-064	None
TSMBJ0324C	None
TSMBJ0322C	None
TSMBJ0318C	None
TSMBJ0316C	None
TSMBJ0312C	None
TSMBJ0310C	None
TSMBJ0309C-130	None
TSMBJ0307C	None
TSMBJ0306C	None
TSMBJ0305C-072	None
TSMBJ0305C-064	None



Micro Commercial Components

Micro Commercial Components  
20736 Marilla Street Chatsworth  
CA 91311  
Phone: (818) 701-4933  
Fax: (818) 701-4939

**TSMBJ1006C  
THRU  
TSMBJ1024C**

**Features**

- Oxide-Glass passivated Junction
- Bi-Directional protection in a single device
- Surge capabilities up to 100A@10/1000us or 400A@8/20us
- High Off-State impedance and Low On-State voltage
- Plastic material has UL flammability classification 94V-0

**Transient Voltage  
Protection Device  
75 to 320 Volts**

**Mechanical Data**

- Case : Molded plastic
- Polarity : None cathode band denotes
- Approx Weight : 0.093grams

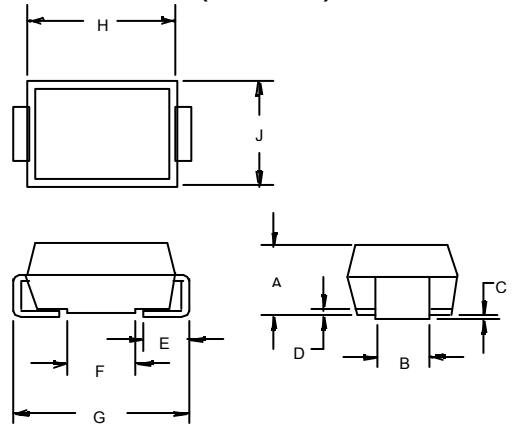
**Maximum Rating**

Characteristic	Symbol	Value	Unit
Non-repetitive peak impulse current	$I_{PP}$	100A	10/1000us
Non-repetitive peak On-state current	$I_{TSM}$	50A	8.3ms, one-half cycle
Operating temperature range	$T_{OP}$	-40~150°C	
Junction and storage temperature range	$T_J, T_{STG}$	-55~150°C	

**Thermal Resistance**

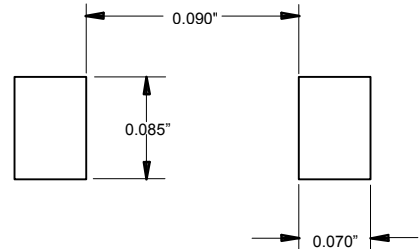
Characteristic	Symbol	Value	Unit
Thermal Resistance junction to lead	$R_{\theta JL}$	20°C/W	
Thermal Resistance junction to ambient	$R_{\theta JA}$	100°C/W	On recommended pad layout
Typical positive temperature coefficient for breakdown voltage	$\Delta V_{BR}/\Delta T_J$	0.1%/°C	

**DO-214AA  
(SMBJ)**



DIM	INCHES		MM		NOTE
	MIN	MAX	MIN	MAX	
A	.078	.096	2.00	2.44	
B	.077	.083	1.96	2.10	
C	.002	.008	.05	.20	
D	—	.02	—	.51	
E	.030	.060	.76	1.52	
F	.065	.091	1.65	2.32	
G	.205	.220	5.21	5.59	
H	.160	.180	4.06	4.57	
J	.130	.155	3.30	3.94	

**SUGGESTED SOLDER  
PAD LAYOUT**



# TSMBJ1006C thru TSMBJ1024C

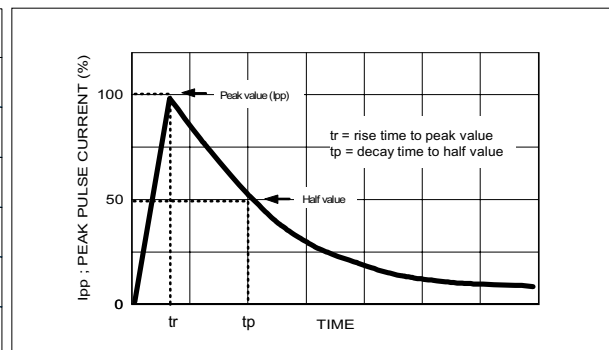


## ELECTRICAL CHARACTERISTIC @25°C Unless otherwise specified

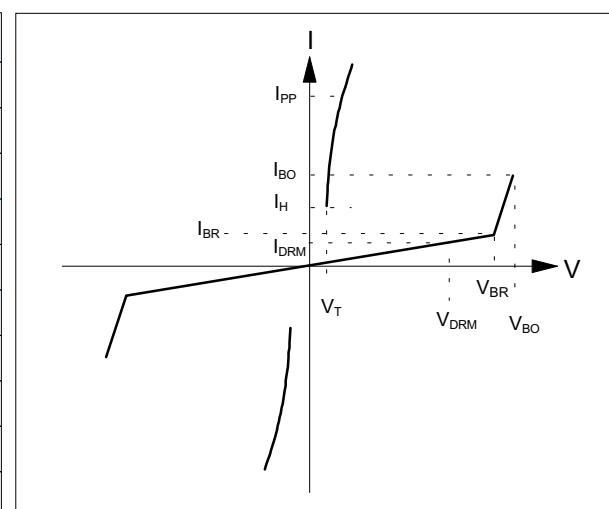
Parameter	Rated Repetitive Off-state Voltage	Off-state Leakage Current@V <sub>DRM</sub>	Breakover Voltage	On-State Voltage @I <sub>T</sub> =1.0A	Breakover Current	Holding Current	Off-State
Symbol	V <sub>DRM</sub>	I <sub>DRM</sub>	V <sub>BO</sub>	V <sub>T</sub>	I <sub>BO+</sub>	I <sub>H</sub>	C <sub>J</sub>
Units	Volts	uA	Volts	Volts	mA	mA	pF
Limit	Max	Max	Max	Max	Max	Min	Typ.
TSMBJ1006C	75	5	98	5	800	150	200
TSMBJ1007C	90	5	130	5	800	150	120
TSMBJ1010C	140	5	180	5	800	150	120
TSMBJ1012C	160	5	220	5	800	150	120
TSMBJ1016C	190	5	265	5	800	150	80
TSMBJ1018C	220	5	300	5	800	150	80
TSMBJ1022C	275	5	350	5	800	150	80
TSMBJ1024C	320	5	400	5	800	150	80

### MAXIMUM RATED SURGE WAVEFORM

Waveform	Standard	I <sub>pp</sub> (A)
2/10 us	GR-1089-CORE	500
8/20 us	IEC 61000-4-5	400
10/160 us	FCC Part 68	200
10/700 us	ITU-T K20/21	200
10/560 us	FCC Part 68	150
10/1000 us	GR-1089-CORE	100



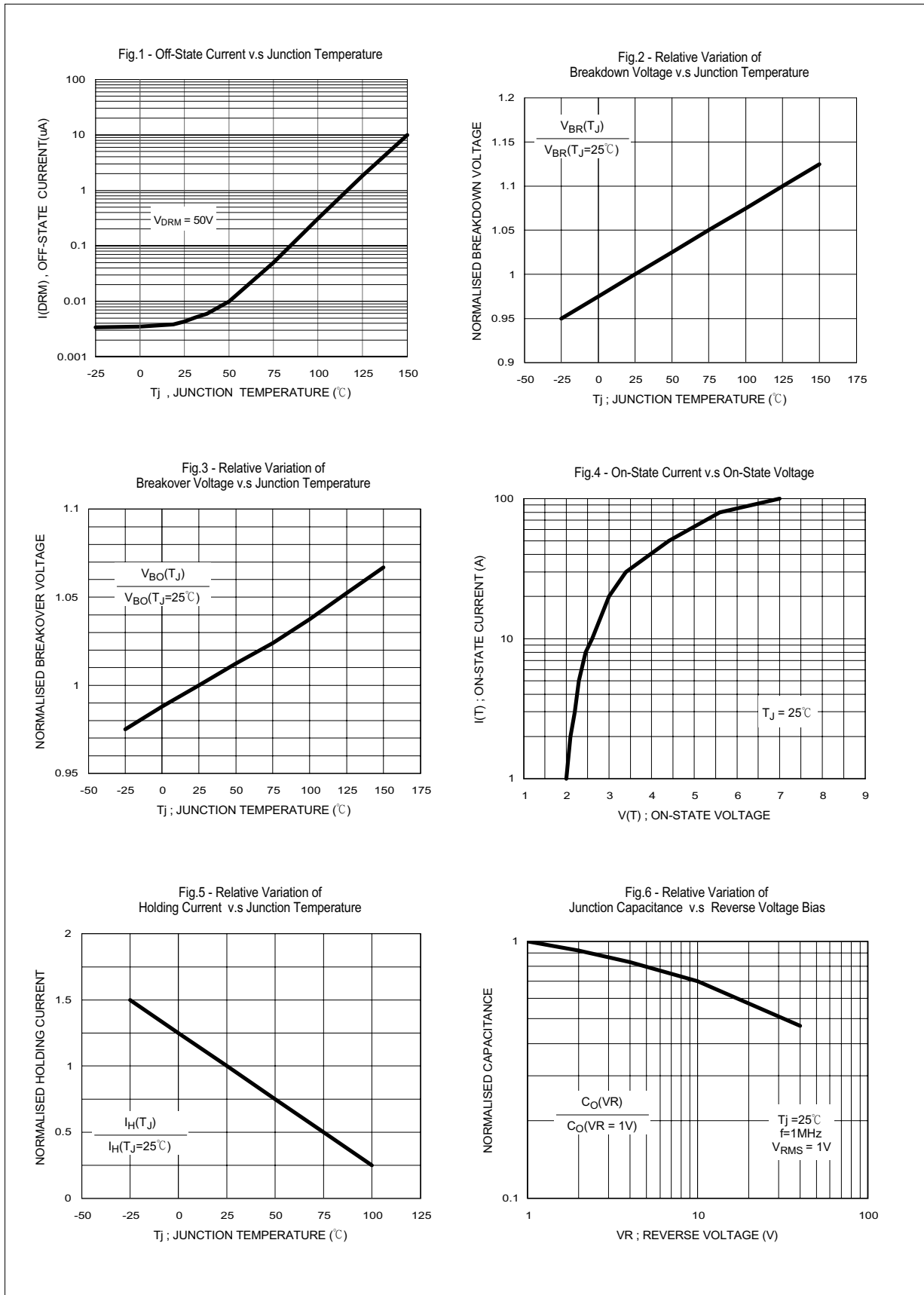
Symbol	Parameter	
V <sub>DRM</sub>	Stand-off voltage	
I <sub>DRM</sub>	Leakage current at stand-off voltage	
V <sub>BR</sub>	Breakdown voltage	
I <sub>BR</sub>	Breakdown current	
V <sub>BO</sub>	Breakover voltage	
I <sub>BO</sub>	Breakover current	
I <sub>H</sub>	Holding current	NOTE: 1
V <sub>T</sub>	On state voltage	
I <sub>PP</sub>	Peak pulse current	
C <sub>O</sub>	Off-state capacitance	NOTE: 2



**NOTE :**

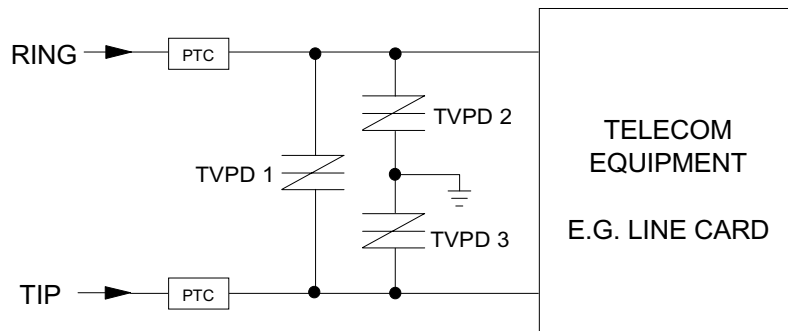
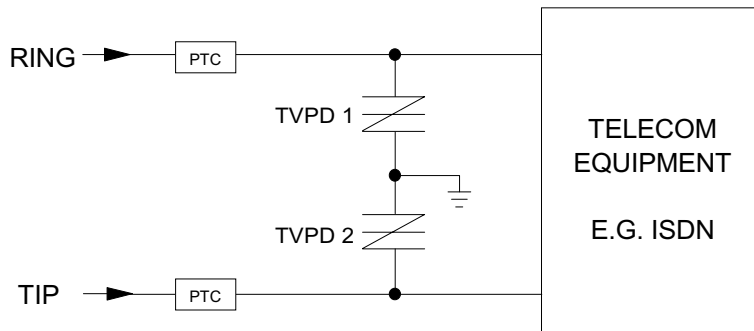
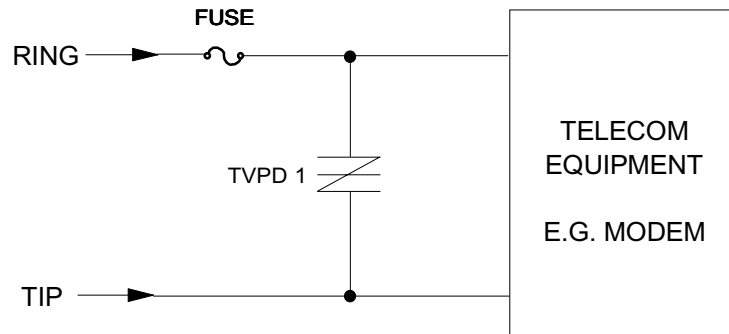
1. I<sub>H</sub> > (V<sub>L</sub> / R<sub>L</sub>) If this criterion is not obeyed, the TSPD triggers but does not return correctly to high-resistance state. The surge recovery time. It does not exceed 30ms.
2. Off-state capacitance measured at f=1.0MHz, 1.0Vrms signal, V<sub>R</sub>=2Vdc bias.

# TSMBJ1006C thru TSMBJ1024C



# TSMBJ1006C thru TSMBJ1024C

## TYPICAL APPLICATION CIRCUITS



The PTC (Positive Temperature Coefficient) is an overcurrent protection device.

## MARKING CODE

